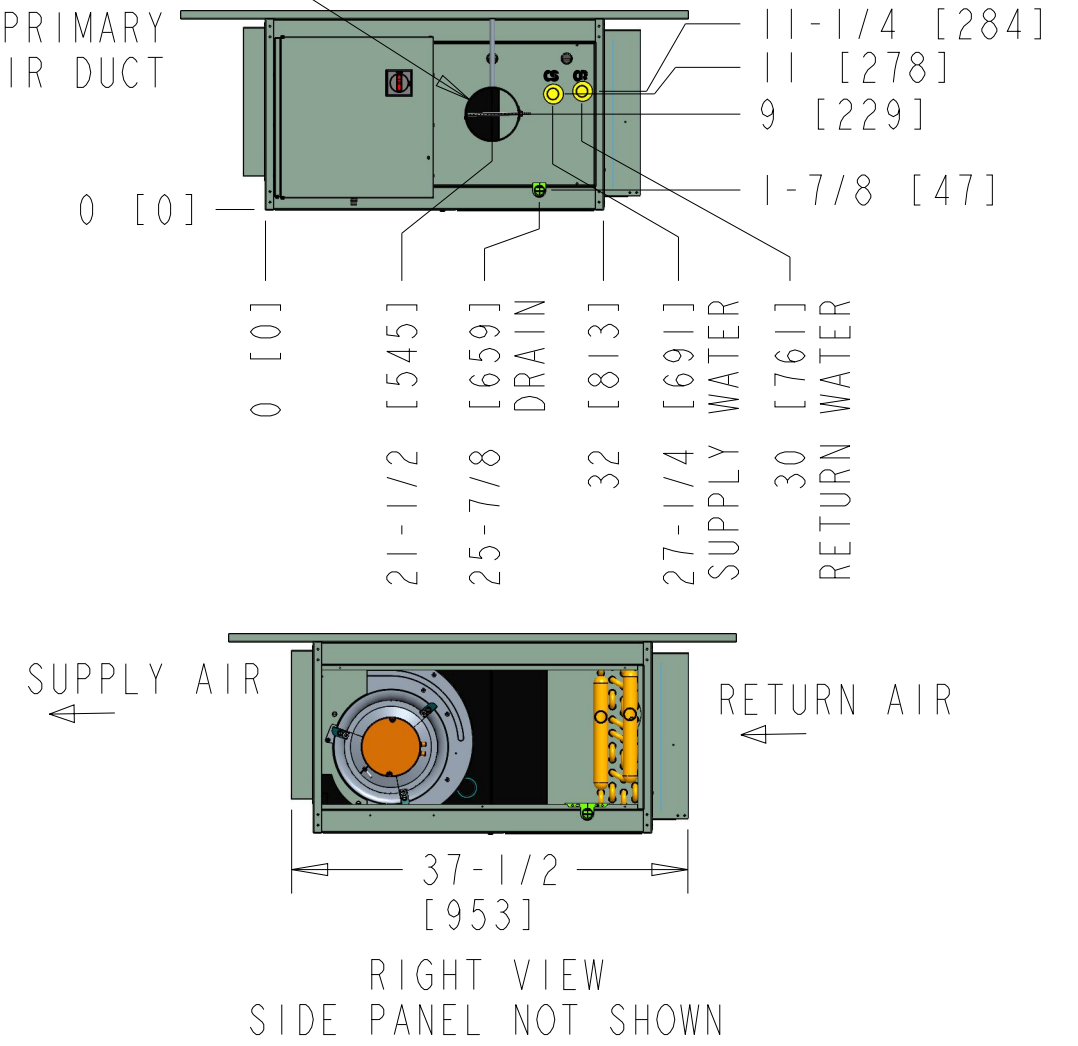
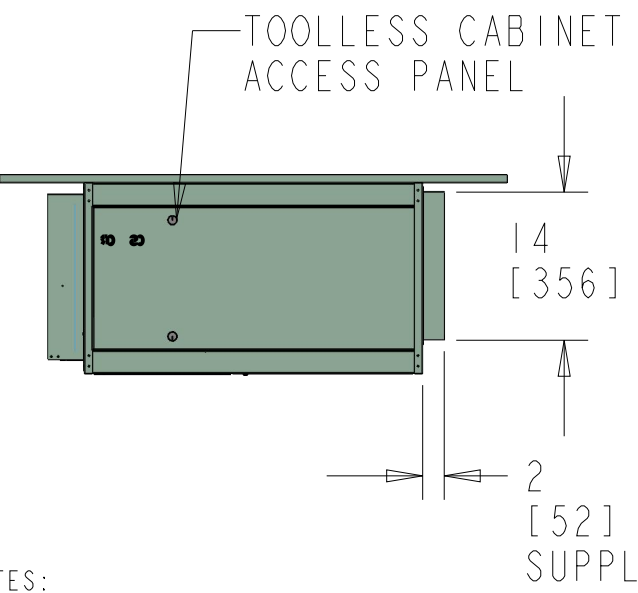
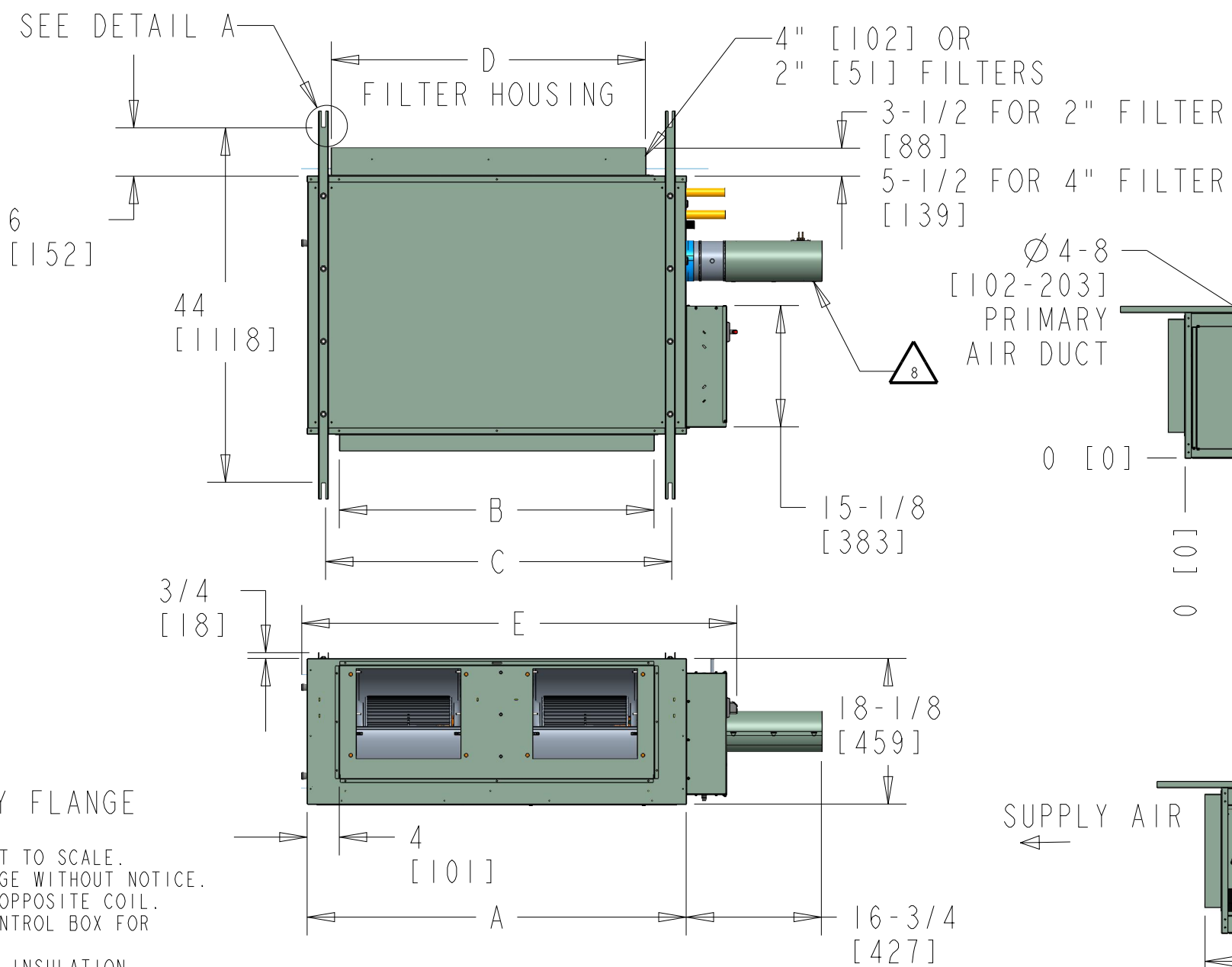
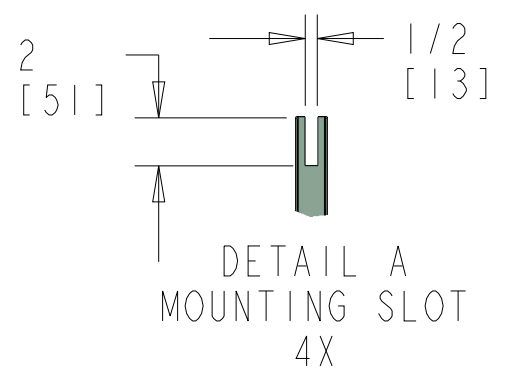
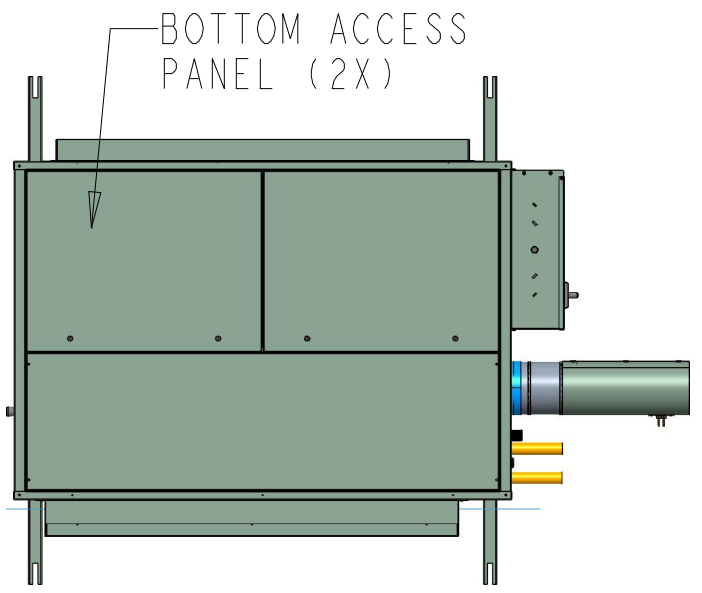


REVISION HISTORY		
REV	DATE	ECN
-	01/23/24	24-0070
A	04/29/24	24-0393



- NOTES:
1. RH COIL SHOWN. LH OPPOSITE.
  2. ALL DIMENSIONS ARE +/-0.25 [6]. DRAWING NOT TO SCALE.
  3. PRODUCT SPECIFICATIONS ARE SUBJECT TO CHANGE WITHOUT NOTICE.
  4. SERVICE ACCESS ON BOTTOM OF UNIT AND SIDE OPPOSITE COIL.
  5. KNOCKOUTS ON THE BOTTOM AND SIDE OF THE CONTROL BOX FOR INCOMING POWER CONNECTIONS.
  6. UNIT DEPICTED HAS 1/2" STANDARD FIBERGLASS INSULATION.
  7. PRELIMINARY DRAWING ONLY. DESIGN IS SUBJECT TO CHANGE.
  8. PRIMARY AIR DUCT AND DAMPER SHIP LOOSE.

UNIT SIZE	DIMENSIONS - INCHES [mm]					QUANTITY/UNIT	
	A	B	C	D	E	BLOWER	MOTOR
06	23 [584]	15 [381]	19 [483]	19.5 [495]	30 [763]	1	1
08	28 [711]	20 [508]	24 [610]	19.5 [495]	35 [890]	1	1
10	32 [813]	24 [610]	28 [711]	24.5 [622]	39 [992]	1	1
12	37 [940]	29 [737]	33 [838]	31 [787]	44 [1119]	2	2
14	42 [1067]	34 [864]	38 [965]	39 [991]	49 [1246]	2	2
16	47 [1194]	39 [991]	43 [1092]	39 [991]	54 [1373]	2	2
18	52 [1321]	44 [1118]	48 [1219]	49 [1245]	59 [1500]	2	2
20	56 [1422]	48 [1219]	52 [1321]	49 [1245]	63 [1601]	2	2



TITLE			
FAN POWERED TERMINAL UNIT			
DWC NO			REV
<b>1100-90056131</b>			<b>A</b>
DRAWN	DATE	APPROVED	DATE
W.URBAN	11/03/23	C.NORTHCRAFT	11/03/23